



DATE:
30/10/2015

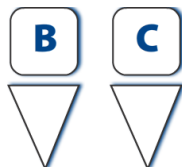
SPARE PARTS MANUAL

LB 800 MI NI



Tel. 0039.011.2398429
 Fax 0039.011.23980466
 technicalservice@lavazza.it
 http://ts.inlavazza.it

LB 800 MINI
 Codice macchina
 10080638



TAV: 5 - BOILER ASSEMBLY

REF.	PART NO.	DESCRIPTION	S.I.	UDV
	10061827	SUPPORT FOR BOILER		5
	10061838	SCREW 3.5X15		
1		TYRE BOILER 230V ASSY ALUMINIUM		
1		PIPE D=10 L=15M 60SR SILICONE		
1		SELF-TAPPING 5X30		
6	10061791	PIPE D=7,5X9,3 L=2 M SILICONE		
7	10061115	PROTECTION FOR SPRING		10
8	10061116	FITTING+PROTECTION ASSY L=185 MM		5
9		HOSE CLAMP D.11/11,6		10
10		THERMOSTAT 175° 1NT-15L-5126		20
11		SCREW 4X8		50

LB 2300 SINGLE CUP 230V

14

- A) MACHINE MODEL:** Machine model.
- B) TABLE NUMBER:** Table identification number.
- C) TABLE TITLE:** Descriptive title of the table.
- D) REFERENCE:** reference number of the single items shown in the drawing.
- E) PART NO.:** Identification number of the item.
- F) DESCRIPTION:** item description.
- G) S.I.:** Service information regarding the relevant item.
- H) UDV (Required minimum quantity):** The required minimum quantity for each part. When the order is directly sent to Luigi Lavazza S.p.A. the quantity ordered must be equal or a multiple of the one indicated in the UDV column.



ATTENTION

Only original spare parts must be used. The manufacturer declines any responsibility arising from the use of unoriginal spare parts.



ENVIRONMENT

The replacement part should be delivered to the appropriate collection centres for disposal.

SPARE PARTS INDEX

Pag. 4: CASE

Pag. 8: HYDRAULIC SECTION

Pag. 10: HEATING SECTION

Pag. 14: APPENDIX

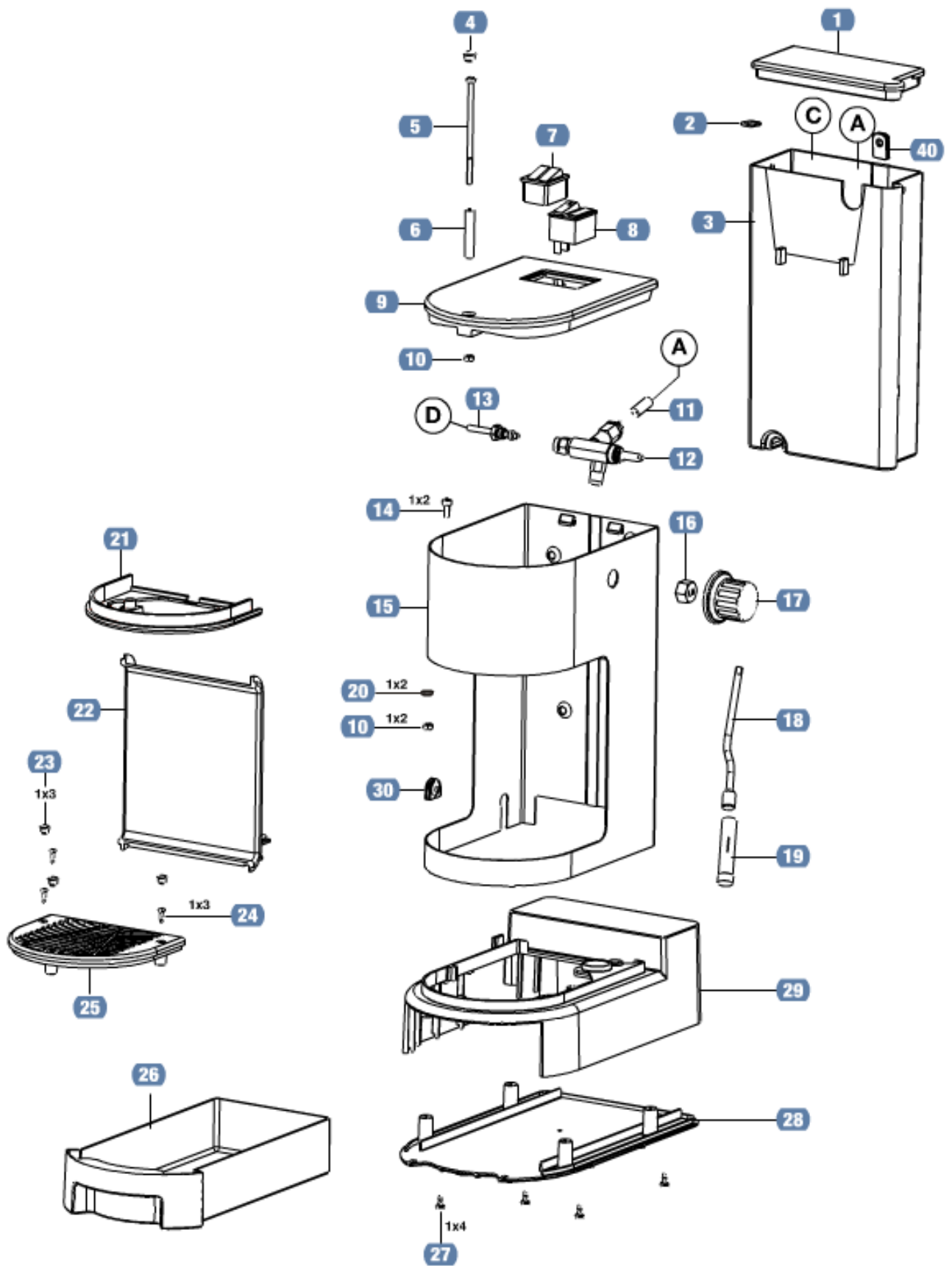
Pag. 16: CASE - FROM 164281

Pag. 20: HYDRAULIC SECTION - FROM 23232 UNTIL 164280

Pag. 22: HYDRAULIC SECTION - FROM 164281

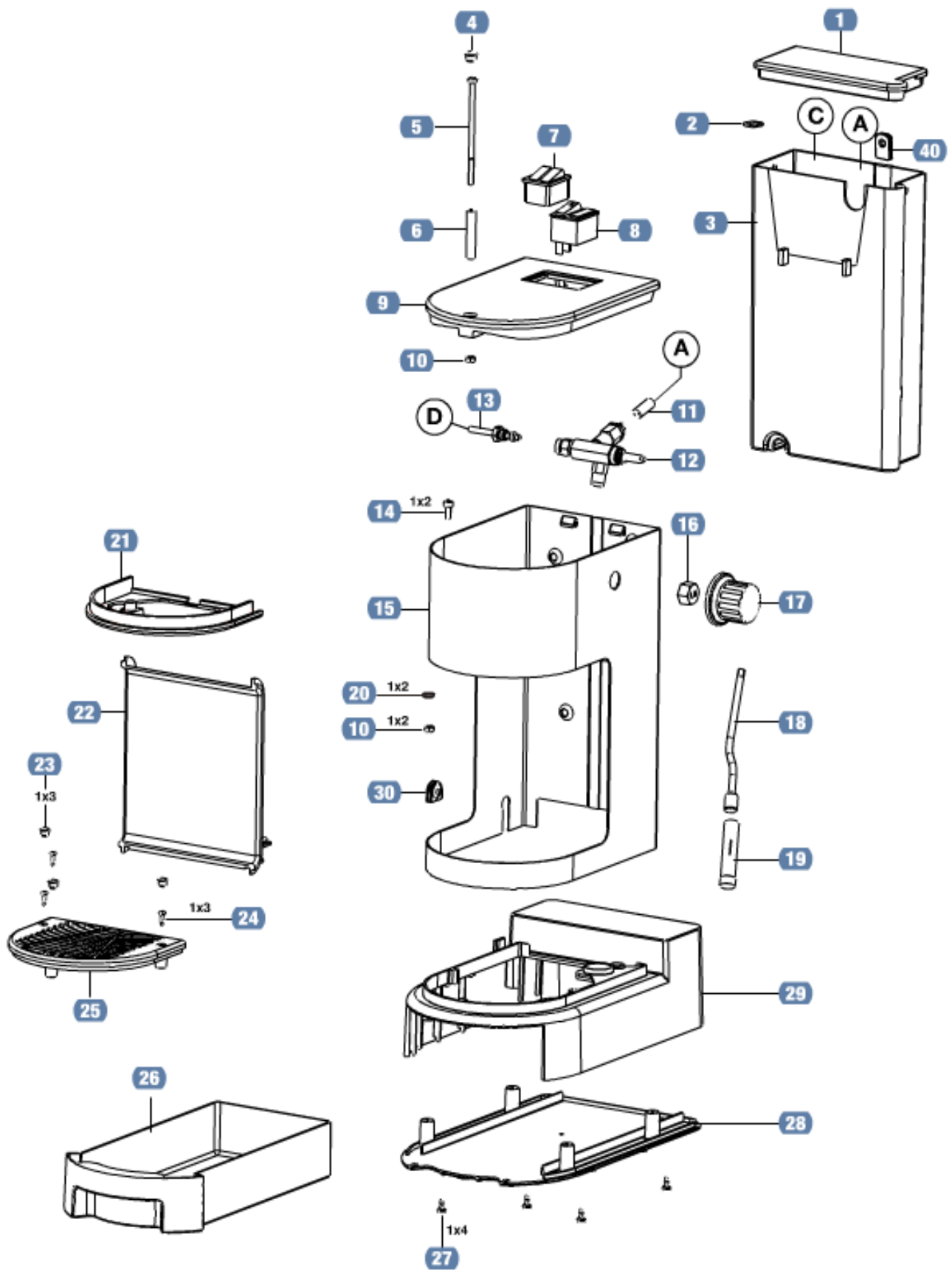
Pag. 24: BOILER/DISPENSING UNIT - FROM 164281

REF.	PART NO.	DESCRIPTION	S.I.	MOQ
1	10087331	TANK COVER PAD PRINTED		10
2	10060001	O-RING 114 SPARE PART NO LONGER AVAILABLE AT LAVAZZA.		50
3	10060278	WATER TANK W/O OVERFLOW SPOUT		10
4	10060003	CAP D.8 H.7 SPARE PART NO LONGER AVAILABLE AT LAVAZZA.		50
5	10060004	SCREW M4X80 SPARE PART NO LONGER AVAILABLE AT LAVAZZA.		50
6	10079894	PIPE D.4X8 L=50 MM SILICONE SPARE PART NO LONGER AVAILABLE AT LAVAZZA.		50
7	10060005	COFFEE/STEAM SWITCH		5
8	10060006	MAIN SWITCH		10
9	10087329	UPPER COVER		15
10	10060008	NUT M4		1
11	10079895	PIPE D.4X8 L=150 MM SILICONE		10
12	10060009	VALVE ASSY		5
13	10060010	PIPE D.4X2 L=110 MM PTFE SPARE PART NO LONGER AVAILABLE AT LAVAZZA.		10
14	10060011	SCREW M4X10 SPARE PART NO LONGER AVAILABLE AT LAVAZZA.		50
15	10060012	BODY PAD PRINTED TINTED SPARE PART NO LONGER AVAILABLE AT LAVAZZA.		2
16	10060013	RETAINING NUT SPARE PART NO LONGER AVAILABLE AT LAVAZZA.		50
17	10060014	STEAM KNOB		10
18	10060015	STEAM PIPE		5
19	10060016	MILK FROTHING PIPE		10
20	10060017	FLAT WASHER 4.3X9X0.8		50
21	10060018	CAPSULE HOLDER BASE SPARE PART NO LONGER AVAILABLE AT LAVAZZA.		10
22	10060019	FRONT PART		5
23	10060020	CAP D.6 H.6		50
24	10060021	SCREW SELF-TAPPING 2.9X13		50
25	10060022	DRIP GRID		10
26	10060023	DRIP DRAWER		10
27	10088022	SCREW PARKER 3.5X9.5 SPARE PART NO LONGER AVAILABLE AT LAVAZZA.		50
28	10060024	MACHINE BASE ASSY		5
29	10060025	MACHINE BASE SPARE PART NO LONGER AVAILABLE AT LAVAZZA.		2



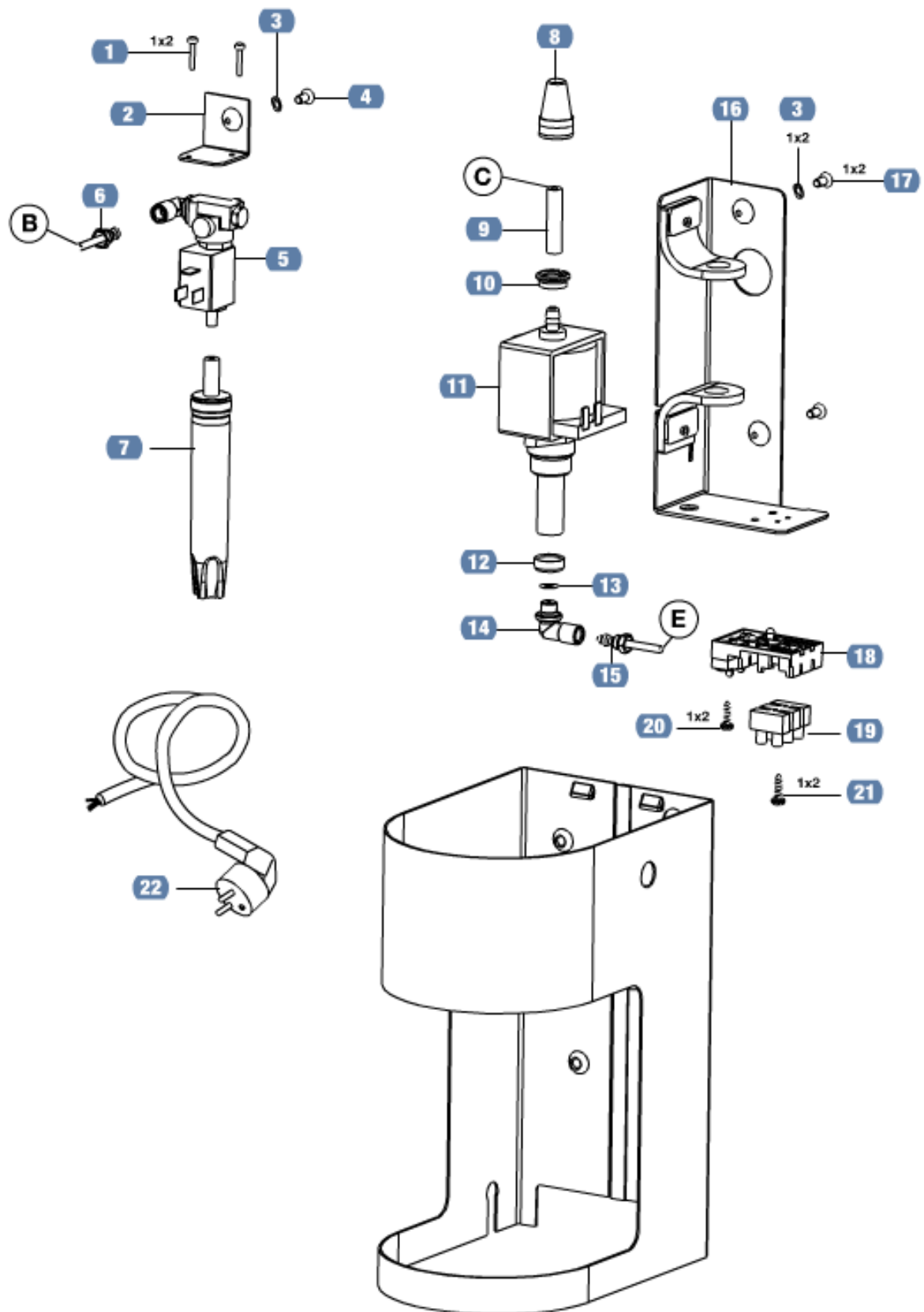
TAV: 1 - CASE

REF.	PART NO.	DESCRIPTION	S.I.	MOQ
30	10089049	CABLE CLAMP D6 SPARE PART NO LONGER AVAILABLE AT LAVAZZA.		20
40	10087324	TANK OVERFLOW SPOUT		10



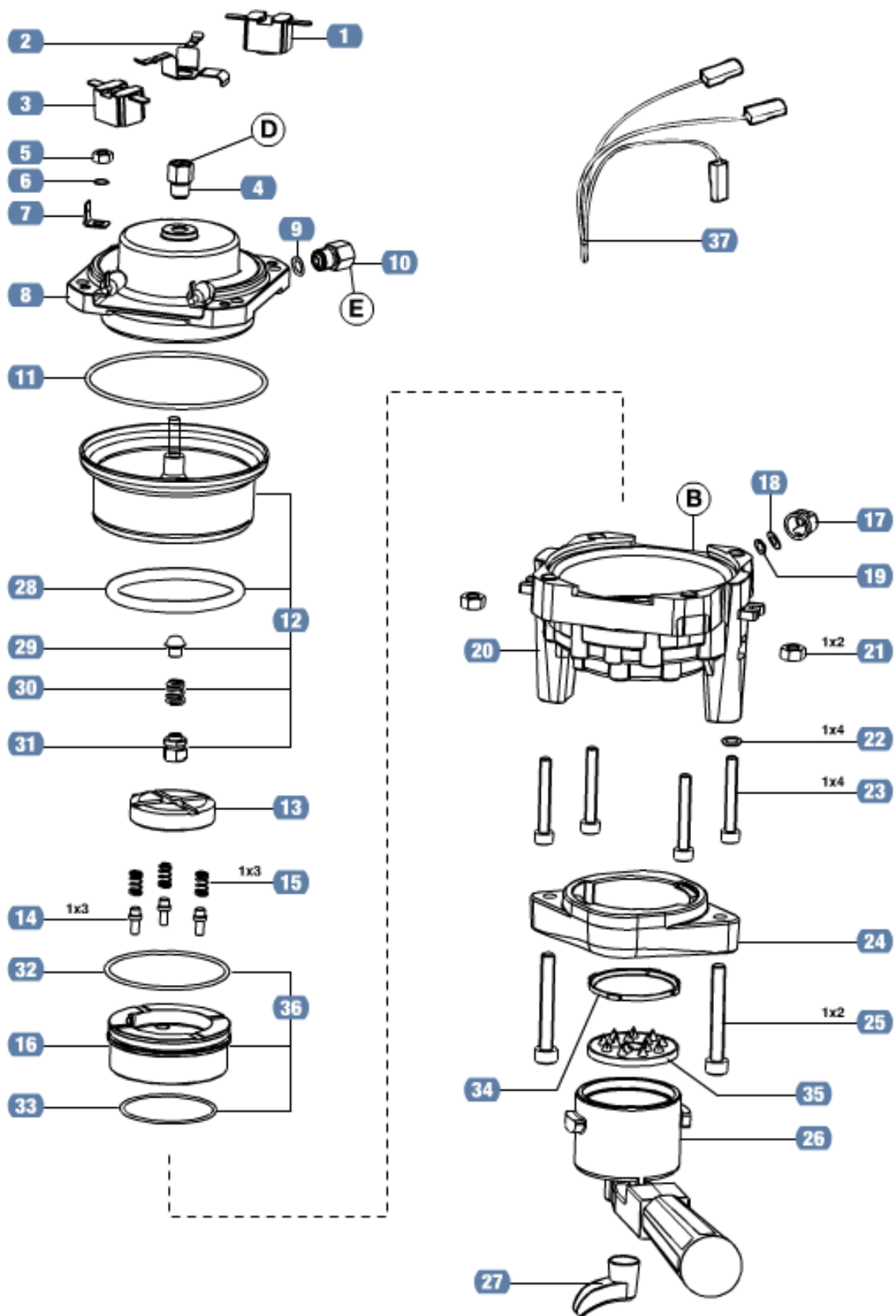
TAV: 2 - HYDRAULIC SECTION

REF.	PART NO.	DESCRIPTION	S.I.	MOQ
1	10060026	SCREW M3X6		50
2	10060027	SOLENOID VALVE SUPPORT SPARE PART NO LONGER AVAILABLE AT LAVAZZA.		50
3	10060028	SPRING WASHER 4 SPARE PART NO LONGER AVAILABLE AT LAVAZZA.		50
4	10060029	SCREW SELF-TAPPING 3.5X9.5		50
5	10060030	SOLENOID VALVE ASSY 230V		5
6	10060031	PIPE D.4X2 L=60 MM PTFE SPARE PART NO LONGER AVAILABLE AT LAVAZZA.		10
7	10060032	SILENCER ASSY SPARE PART NO LONGER AVAILABLE AT LAVAZZA.		10
8	10060033	FILTER ASSY		10
9	10060034	PIPE D.4X8 L= 350 MM SILICONE		10
10	10060035	RING FOR PUMP SPARE PART NO LONGER AVAILABLE AT LAVAZZA.		50
11	10060036	PUMP 230V-50HZ		5
12	10060037	BUSHING		10
13	10079719	O RING 2025 SPARE PART NO LONGER AVAILABLE AT LAVAZZA.		50
14	10079872	FITTING - 90 DEG. 1/8 SPARE PART NO LONGER AVAILABLE AT LAVAZZA.		10
15	10060038	PIPE D.4X2 L= 200 MM PTFE SPARE PART NO LONGER AVAILABLE AT LAVAZZA.		10
16	10060039	SUPPORT FOR PUMP ASSY SPARE PART NO LONGER AVAILABLE AT LAVAZZA.		1
17	10060040	SCREW PARKER 4.2X9.5 SPARE PART NO LONGER AVAILABLE AT LAVAZZA.		50
18	10088025	TERMINAL BOARD HOLDER AND CABLE CLAMP SPARE PART NO LONGER AVAILABLE AT LAVAZZA.		10
19	10088027	3-PIN TERMINAL BOARD SPARE PART NO LONGER AVAILABLE AT LAVAZZA.		10
20	10088026	SCREW SELF-TAPPING 3,5X14,5 SPARE PART NO LONGER AVAILABLE AT LAVAZZA.		100
21	10060041	SCREW 3.5X22 SPARE PART NO LONGER AVAILABLE AT LAVAZZA.		50
22	10060042	POWER CORD FOR LB800		10



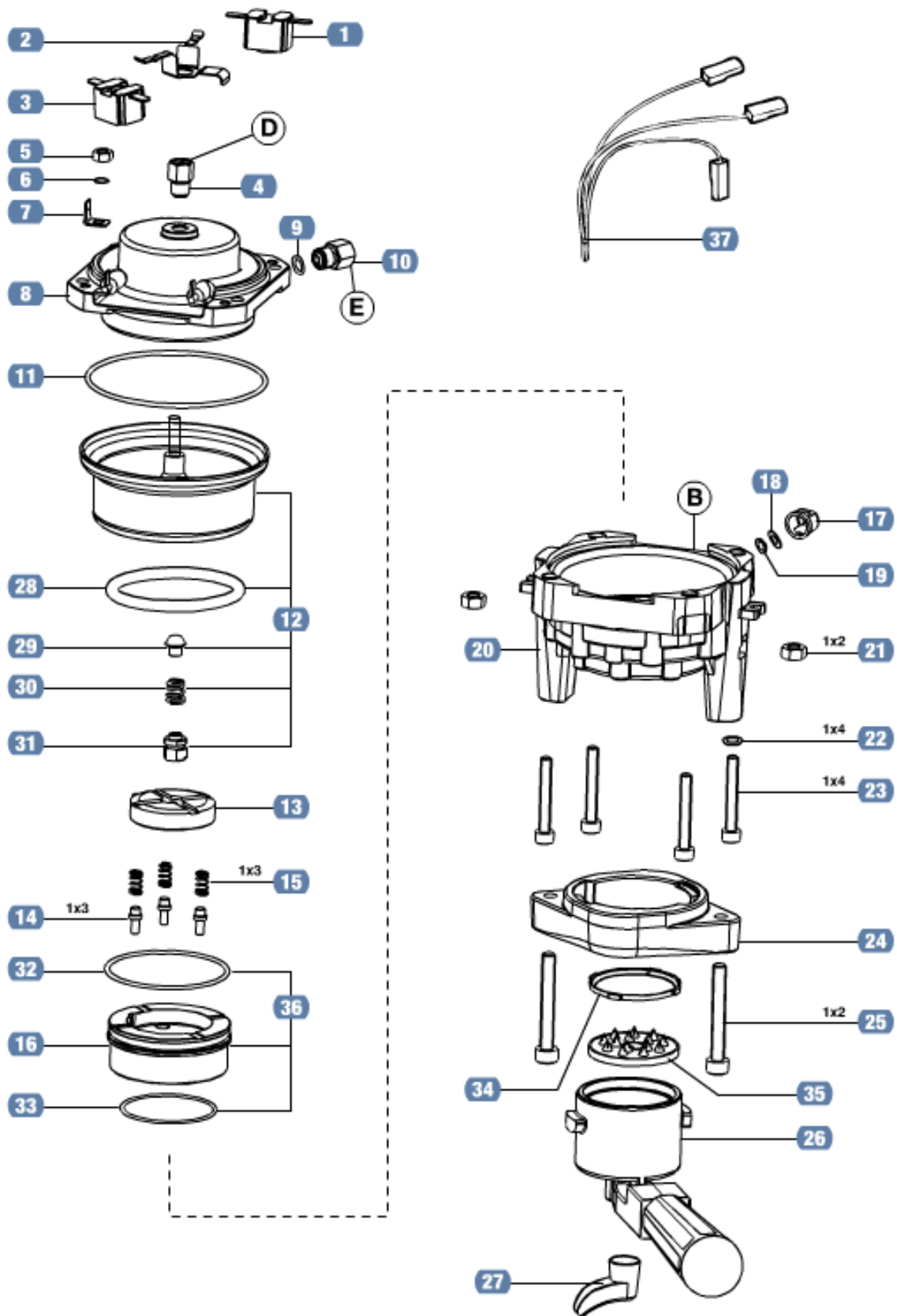
TAV: 3 - HEATING SECTION

REF.	PART NO.	DESCRIPTION	S.I.	MOQ
1	10088000	THERMOSTAT N.C. 110C WHITE		10
2	10060043	SUPPORT FOR THERM./THERM.FUSE		10
3	10060044	THERMOSTAT 140° NC		10
4	10060045	FITTING - STRAIGHT		20
5	10060046	MUT M5		50
6	10060047	WASHER STAINLESS STEEL D.5		50
7	10079820	FASTON MALE 6.3X0.8		50
8	10060048	UPPER BOILER 230V 800W		4
9	10088031	O-RING 2021 VITON		100
10	10060049	FITTING - STRAIGHT 1/8 GAS		20
11	10060050	O-RING 4300 SILICONE		50
12	10060051	LOWER BOILER ASSY		5
13	10060052	INSERT FOR PISTON		10
14	10060053	PIN FOR CAPSULE RELEASE		50
15	10060054	SPRING FOR CAPSULE RELEASE		50
16	10088185	PISTON FOR BOILER		20
17	10079770	CAP QUICK COUPLING		25
18	10079764	WASHER 4.2X6.8X0.5		100
19	10079854	O RING 2015 VITON		100
20	10060056	COUPLING RING SPARE PART NO LONGER AVAILABLE AT LAVAZZA.		4
21	10060057	NUT M6		50
22	10060073	WASHER - BRASS		50
23	10060058	SCREW M5X35		50
24	10060059	RING FOR CAPSULE HOLDER		5
25	10060060	SCREW M6X45		50
26	10087233	CAPSULE HOLDER ASSY VER.2		10
27	10060062	1 CUP SPOUT		20
28	10087308	O-RING 6200 SILICONE 70 SH		50
29	10087309	VALVE ASSY		10
30	10087310	SPRING		50
31	10087311	VALVE SUPPORT BODY		20
32	10087306	O-RING 153 (49.21X3.53) SILICONE 70SHA		10
33	10060987	O-RING 144 (39,69X3,53) SIL. 70 SHA		50
34	10060986	CIRCLIP SEEGER		10

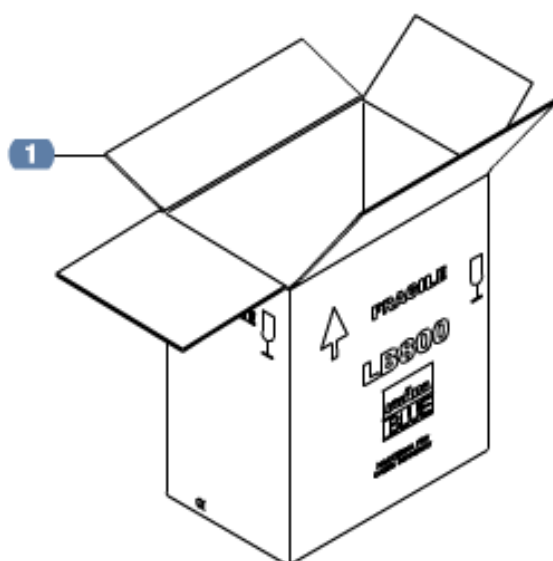
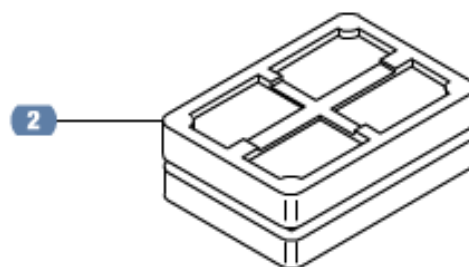


TAV: 3 - HEATING SECTION

REF.	PART NO.	DESCRIPTION	S.I.	MOQ
35	10066942	PERFORATOR - PEEK 90GL30 BL		5
36	10060055	PISTON + O-RING		5
37	10087330	EL.CIRCUIT MINI-LAV.PRC		1

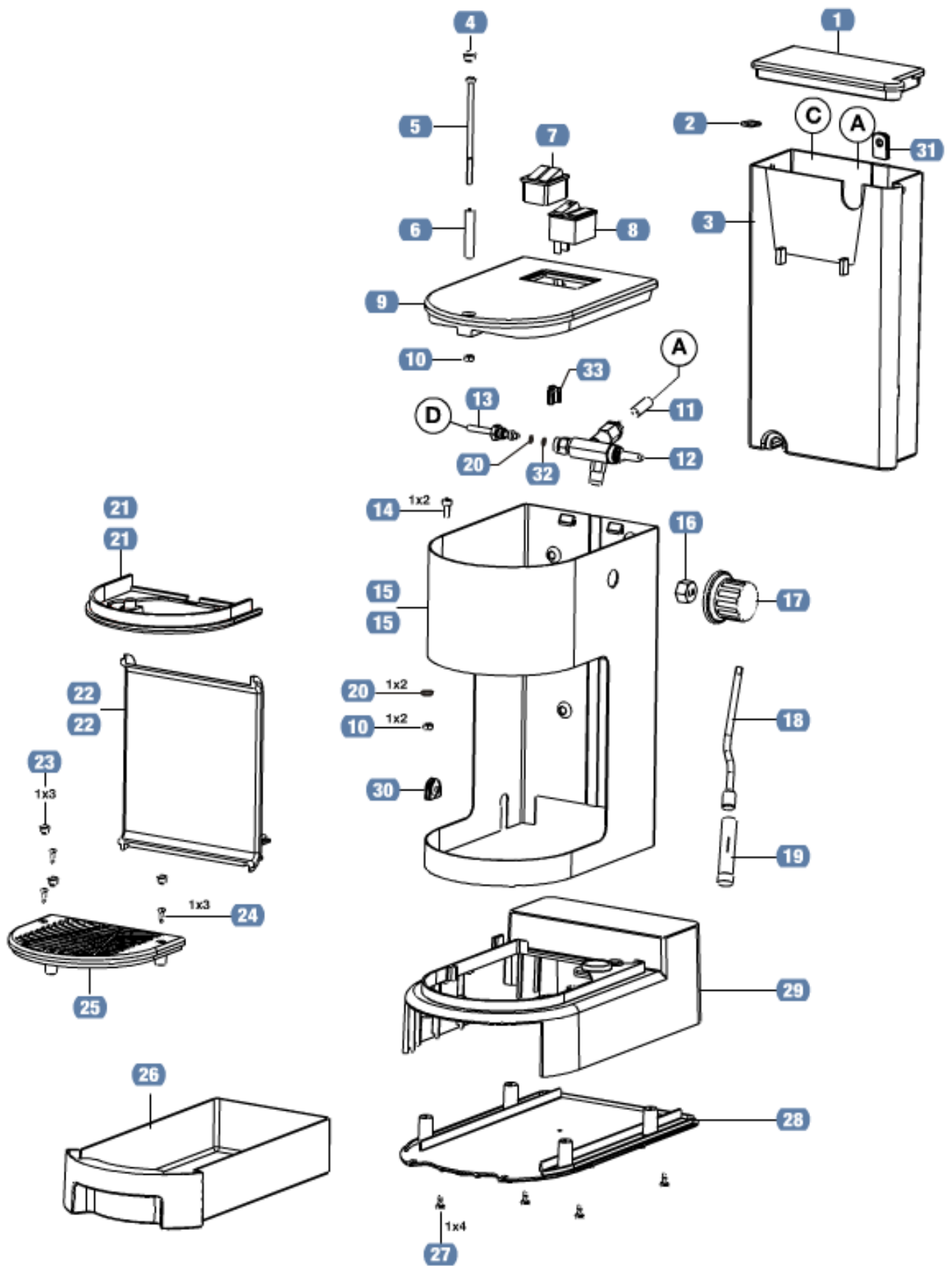


REF.	PART NO.	DESCRIPTION	S.I.	MOQ
1	10060075	PACKING BOX - CUSTOMIZED SPARE PART NO LONGER AVAILABLE AT LAVAZZA.		1
2	10060065	INSIDE PACKING EXP.POL. SPARE PART NO LONGER AVAILABLE AT LAVAZZA.		10
3	10060066	PRIMING LABEL SPARE PART NO LONGER AVAILABLE AT LAVAZZA.		100
4	10060067	OPERATING INSTRUCTIONS LB 800 SPARE PART NO LONGER AVAILABLE AT LAVAZZA.		10

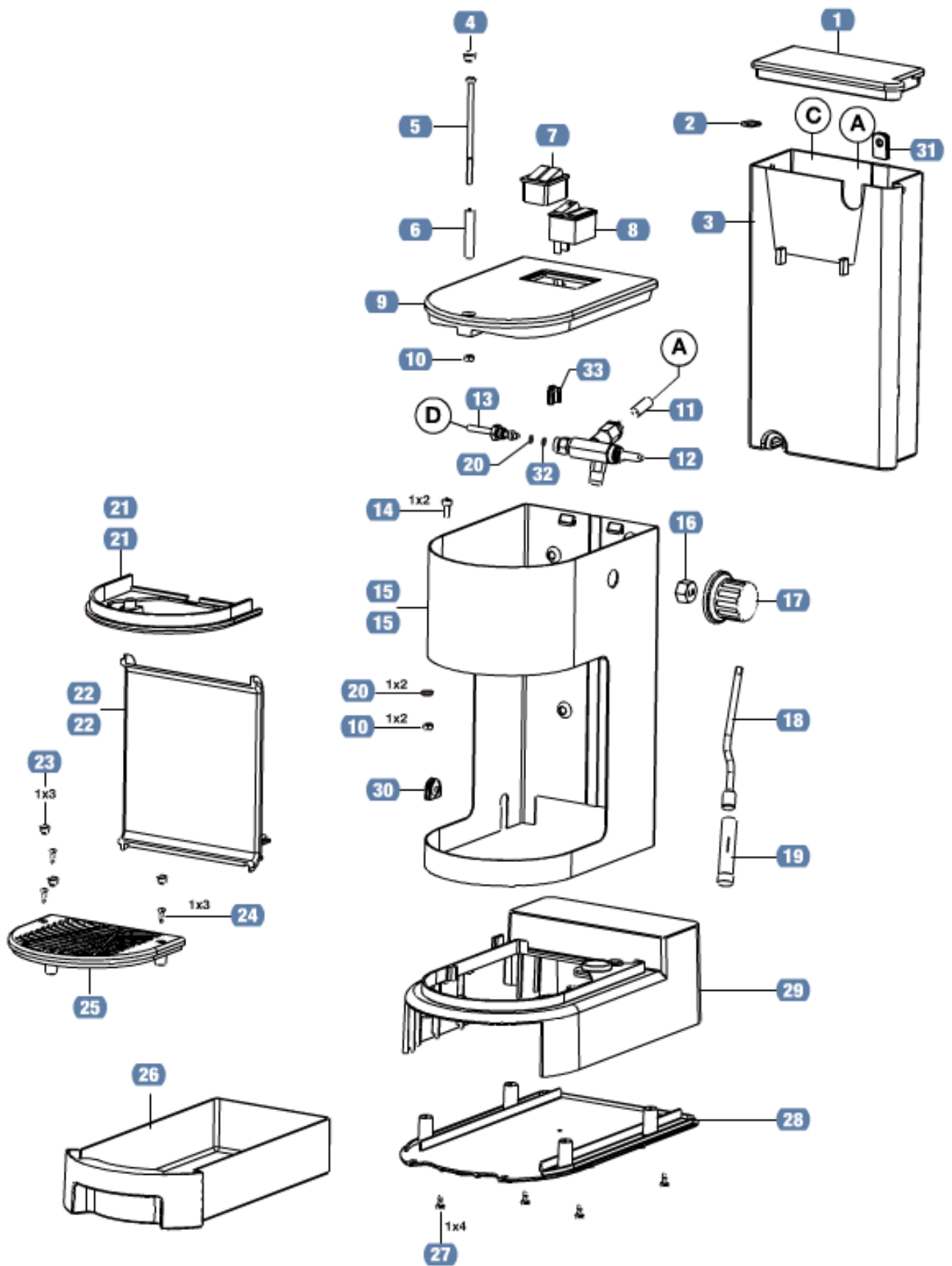


ATTENZIONE: In caso di mancata erogazione, consultare il manuale d'uso al paragrafo problemi/cause/rimedi.
WARNING: In case of non- supply see the paragraph trouble shooting on the user manual.
ATTENTION: En cas d'absence de sortie de café réalisez, si vous plait, consulter le manuel d'instructions au paragraphe problèmes/causes/remède.
ACHTUNG: In Falle einer nicht Versorgung, sehen Sie unter Paragraphen Problemen/Ursachen/Lösungen in der Bedienungsanleitung/Bedienbuch nach.
ATENÇÃO: Em caso de falta de abastecimento, consultar o Manual de Uso no parágrafo Problemas/ Causas/ Soluções.

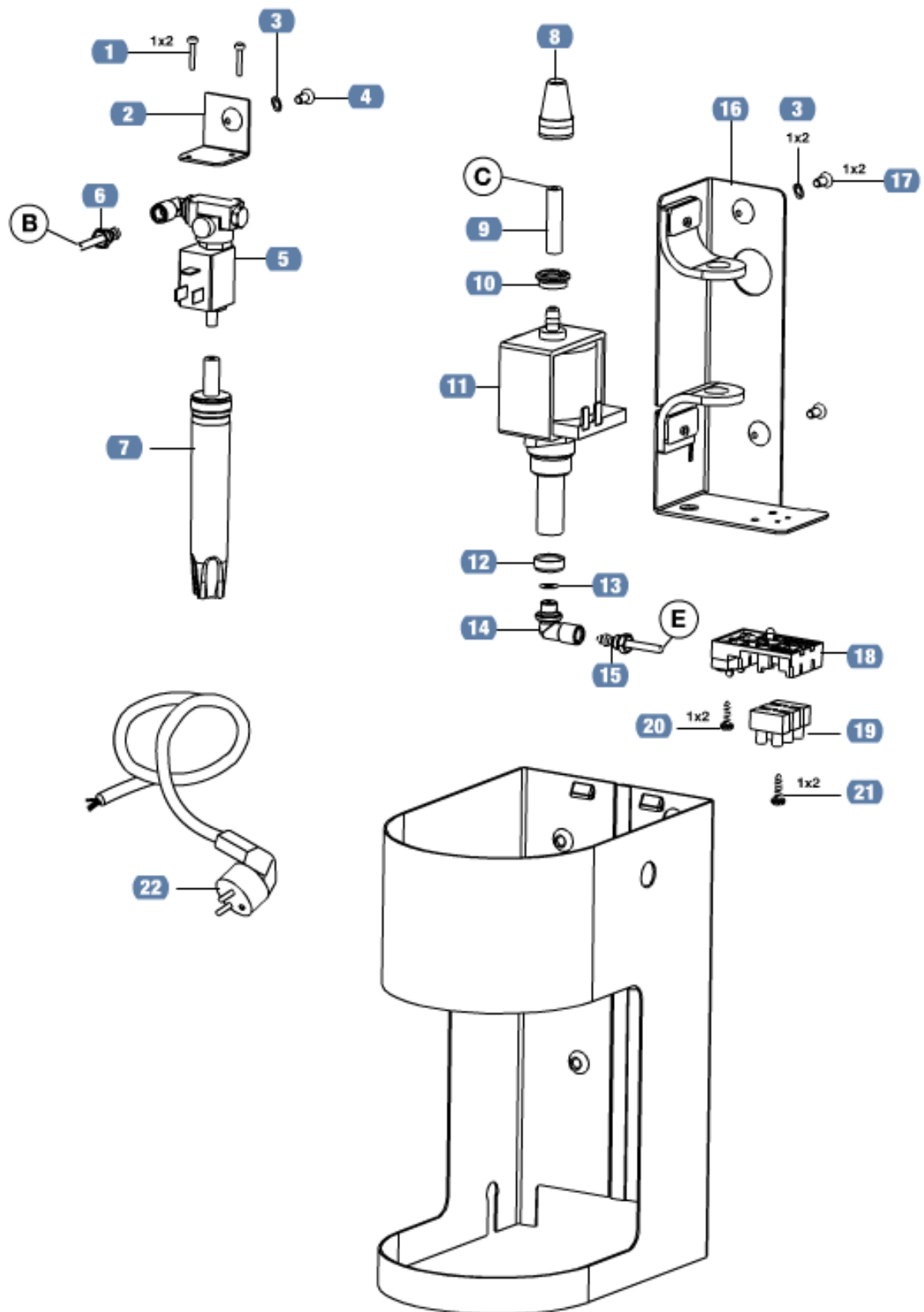
REF.	PART NO.	DESCRIPTION	S.I.	MOQ
1	10087331	TANK COVER PAD PRINTED		10
2	10060001	O-RING 114 SPARE PART NO LONGER AVAILABLE AT LAVAZZA.		50
3	10060278	WATER TANK W/O OVERFLOW SPOUT		10
4	10060003	CAP D.8 H.7 SPARE PART NO LONGER AVAILABLE AT LAVAZZA.		50
5	10060004	SCREW M4X80 SPARE PART NO LONGER AVAILABLE AT LAVAZZA.		50
6	10079894	PIPE D.4X8 L=50 MM SILICONE SPARE PART NO LONGER AVAILABLE AT LAVAZZA.		50
7	10060005	COFFEE/STEAM SWITCH		5
8	10060006	MAIN SWITCH		10
9	10087329	UPPER COVER		15
10	10060008	NUT M4		1
11	10079739	PIPE SILICONE L=270 MM D.4X8 SPARE PART NO LONGER AVAILABLE AT LAVAZZA.		10
12	10087291	VALVE ASSY QUICK COUPL.		5
13	10087292	PIPE D.4X2 L=110 MM PTFE SPARE PART NO LONGER AVAILABLE AT LAVAZZA.		10
14	10087232	VITE PARKER 4.8 X13		50
15	10060093	BODY GREY HOLE D.7,7 PAD PR. SPARE PART NO LONGER AVAILABLE AT LAVAZZA.		1
15	10060094	BODY BLACK HOLE D.7,7 PAD PR. SPARE PART NO LONGER AVAILABLE AT LAVAZZA.		2
16	10060013	RETAINING NUT SPARE PART NO LONGER AVAILABLE AT LAVAZZA.		50
17	10060014	STEAM KNOB		10
18	10060015	STEAM PIPE		5
19	10060016	MILK FROTHING PIPE		10
20	10079764	WASHER 4.2X6.8X0.5		100
21	10087332	CAPSULE HOLDER BASE SPARE PART NO LONGER AVAILABLE AT LAVAZZA.		10
21	10060018	CAPSULE HOLDER BASE SPARE PART NO LONGER AVAILABLE AT LAVAZZA.		10
22	10060019	FRONT PART		5
22	10087333	FRONT PART MINI-LAV.VO SPARE PART NO LONGER AVAILABLE AT LAVAZZA.		20
23	10060020	CAP D.6 H.6		50
24	10060021	SCREW SELF-TAPPING 2.9X13		50
25	10060022	DRIP GRID		10
26	10060023	DRIP DRAWER		10



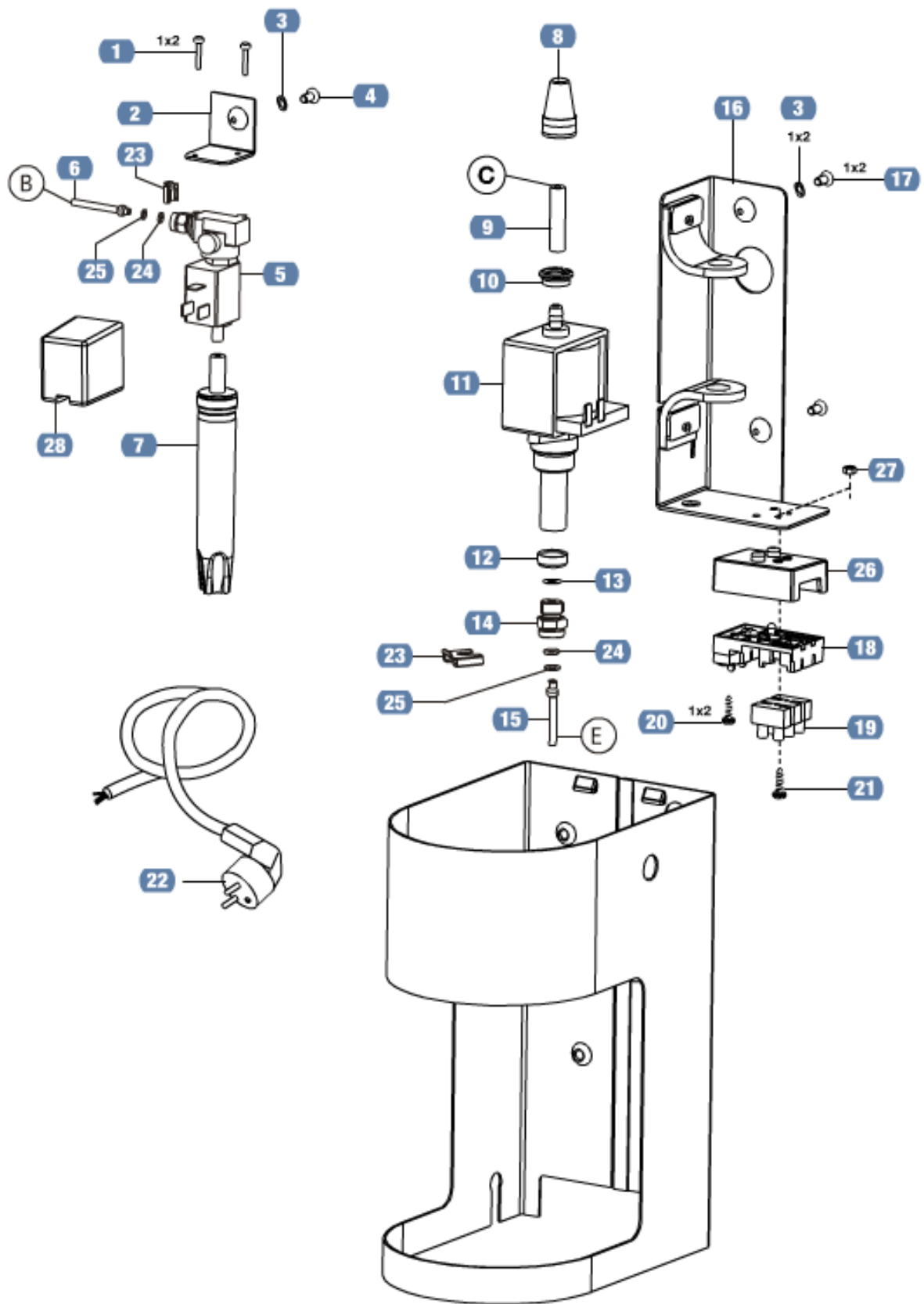
REF.	PART NO.	DESCRIPTION	S.I.	MOQ
27	10088022	SCREW PARKER 3.5X9.5 SPARE PART NO LONGER AVAILABLE AT LAVAZZA.		50
28	10060024	MACHINE BASE ASSY		5
29	10060025	MACHINE BASE SPARE PART NO LONGER AVAILABLE AT LAVAZZA.		2
30	10089049	CABLE CLAMP D6 SPARE PART NO LONGER AVAILABLE AT LAVAZZA.		20
31	10087324	TANK OVERFLOW SPOUT		10
32	10079854	O RING 2015 VITON		100
33	10088180	SPRING		50



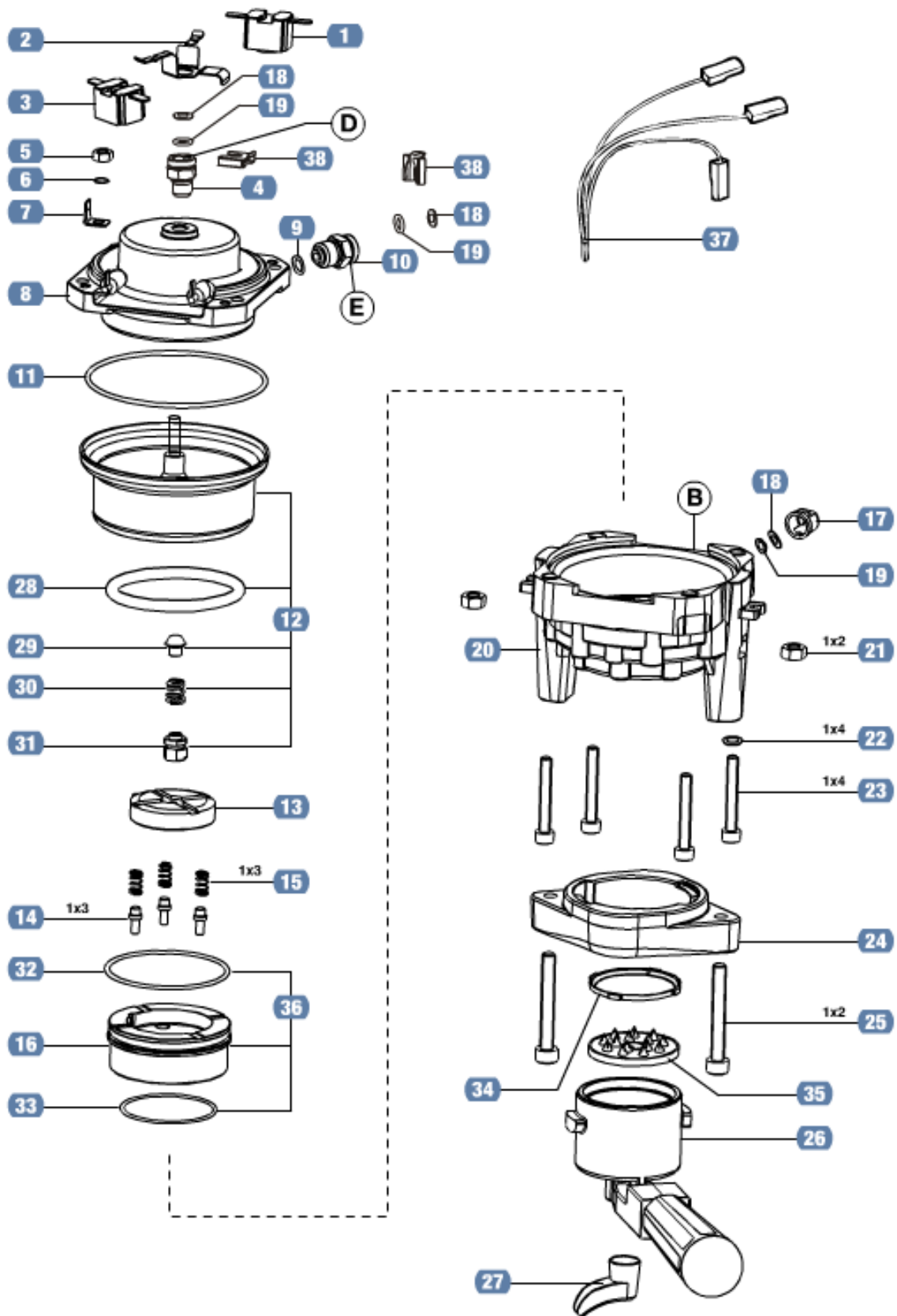
REF.	PART NO.	DESCRIPTION	S.I.	MOQ
1	10060026	SCREW M3X6		50
2	10060027	SOLENOID VALVE SUPPORT SPARE PART NO LONGER AVAILABLE AT LAVAZZA.		50
3	10060028	SPRING WASHER 4 SPARE PART NO LONGER AVAILABLE AT LAVAZZA.		50
5	10060030	SOLENOID VALVE ASSY 230V		5
6	10060031	PIPE D.4X2 L=60 MM PTFE SPARE PART NO LONGER AVAILABLE AT LAVAZZA.		10
7	10060032	SILENCER ASSY SPARE PART NO LONGER AVAILABLE AT LAVAZZA.		10
8	10060033	FILTER ASSY		10
9	10060034	PIPE D.4X8 L= 350 MM SILICONE		10
10	10060035	RING FOR PUMP SPARE PART NO LONGER AVAILABLE AT LAVAZZA.		50
11	10060036	PUMP 230V-50HZ		5
12	10060037	BUSHING		10
13	10079719	O RING 2025 SPARE PART NO LONGER AVAILABLE AT LAVAZZA.		50
14	10079872	FITTING - 90 DEG. 1/8 SPARE PART NO LONGER AVAILABLE AT LAVAZZA.		10
15	10060038	PIPE D.4X2 L= 200 MM PTFE SPARE PART NO LONGER AVAILABLE AT LAVAZZA.		10
16	10060039	SUPPORT FOR PUMP ASSY SPARE PART NO LONGER AVAILABLE AT LAVAZZA.		1
17	10060040	SCREW PARKER 4.2X9.5 SPARE PART NO LONGER AVAILABLE AT LAVAZZA.		50
18	10088025	TERMINAL BOARD HOLDER AND CABLE CLAMP SPARE PART NO LONGER AVAILABLE AT LAVAZZA.		10
19	10088027	3-PIN TERMINAL BOARD SPARE PART NO LONGER AVAILABLE AT LAVAZZA.		10
20	10088026	SCREW SELF-TAPPING 3,5X14,5 SPARE PART NO LONGER AVAILABLE AT LAVAZZA.		100
21	10060041	SCREW 3.5X22 SPARE PART NO LONGER AVAILABLE AT LAVAZZA.		50
22	10060042	POWER CORD FOR LB800		10



REF.	PART NO.	DESCRIPTION	S.I.	MOQ
1	10060026	SCREW M3X6		50
2	10087294	SUPPORT FOR SOLENOID VALVE		50
3	10060028	SPRING WASHER 4 SPARE PART NO LONGER AVAILABLE AT LAVAZZA.		50
5	10087295	SOLENOID VALVE ASSY 230V		5
6	10087296	PIPE D.4X2 L=60 MM PTFE		10
7	10060032	SILENCER ASSY SPARE PART NO LONGER AVAILABLE AT LAVAZZA.		10
8	10060033	FILTER ASSY		10
9	10060034	PIPE D.4X8 L= 350 MM SILICONE		10
10	10060035	RING FOR PUMP SPARE PART NO LONGER AVAILABLE AT LAVAZZA.		50
11	10060036	PUMP 230V-50HZ		5
12	10060037	BUSHING		10
13	10088031	O-RING 2021 VITON		100
14	10088179	FITTING - STRAIGHT 1/8 GAS		10
15	10087297	PIPE D.4X2 L=200 MM PTFE		10
16	10060039	SUPPORT FOR PUMP ASSY SPARE PART NO LONGER AVAILABLE AT LAVAZZA.		1
17	10060040	SCREW PARKER 4.2X9.5 SPARE PART NO LONGER AVAILABLE AT LAVAZZA.		50
18	10088025	TERMINAL BOARD HOLDER AND CABLE CLAMP SPARE PART NO LONGER AVAILABLE AT LAVAZZA.		10
19	10088027	3-PIN TERMINAL BOARD SPARE PART NO LONGER AVAILABLE AT LAVAZZA.		10
20	10088026	SCREW SELF-TAPPING 3,5X14,5 SPARE PART NO LONGER AVAILABLE AT LAVAZZA.		100
21	10089021	SCREW M3X16 SPARE PART NO LONGER AVAILABLE AT LAVAZZA.		50
22	10060042	POWER CORD FOR LB800		10
23	10088180	SPRING		50
24	10079854	O RING 2015 VITON		100
25	10079764	WASHER 4.2X6.8X0.5		100
26	10087327	PROTECTOR FOR TERM.BOARD SPARE PART NO LONGER AVAILABLE AT LAVAZZA.		10
27	10088028	HEXAGON NUT M3		50
28	10087326	PROTECTION FOR SOLENOID VALVE SPARE PART NO LONGER AVAILABLE AT LAVAZZA.		1



REF.	PART NO.	DESCRIPTION	S.I.	MOQ
1	10088000	THERMOSTAT N.C. 110C WHITE		10
2	10060043	SUPPORT FOR THERM./THERM.FUSE		10
3	10060044	THERMOSTAT 140° NC		10
4	10087298	FITTING - STRAIGHT M8X1 QUICK COUPL.		10
5	10060046	MUT M5		50
6	10060047	WASHER STAINLESS STEEL D.5		50
7	10079820	FASTON MALE 6.3X0.8		50
8	10060048	UPPER BOILER 230V 800W		4
9	10088031	O-RING 2021 VITON		100
10	10087299	FITTING - STRAIGHT 1/8 GAS QUICK C.		10
11	10060050	O-RING 4300 SILICONE		50
12	10060051	LOWER BOILER ASSY		5
13	10060052	INSERT FOR PISTON		10
14	10060053	PIN FOR CAPSULE RELEASE		50
15	10060054	SPRING FOR CAPSULE RELEASE		50
16	10088185	PISTON FOR BOILER		20
17	10079770	CAP QUICK COUPLING		25
18	10079764	WASHER 4.2X6.8X0.5		100
19	10079854	O RING 2015 VITON		100
20	10060056	COUPLING RING SPARE PART NO LONGER AVAILABLE AT LAVAZZA.		4
21	10060057	NUT M6		50
22	10060073	WASHER - BRASS		50
23	10060058	SCREW M5X35		50
24	10060059	RING FOR CAPSULE HOLDER		5
25	10060060	SCREW M6X45		50
26	10087233	CAPSULE HOLDER ASSY VER.2		10
27	10060062	1 CUP SPOUT		20
28	10087308	O-RING 6200 SILICONE 70 SH		50
29	10087309	VALVE ASSY		10
30	10087310	SPRING		50
31	10087311	VALVE SUPPORT BODY		20
32	10087306	O-RING 153 (49.21X3.53) SILICONE 70SHA		10
33	10060987	O-RING 144 (39,69X3,53) SIL. 70 SHA		50
34	10060986	CIRCLIP SEEGER		10



REF.	PART NO.	DESCRIPTION	S.I.	MOQ
35	10066942	PERFORATOR - PEEK 90GL30 BL		5
36	10060055	PISTON + O-RING		5
37	10087330	EL.CIRCUIT MINI-LAV.PRC		1
38	10088180	SPRING		50

